

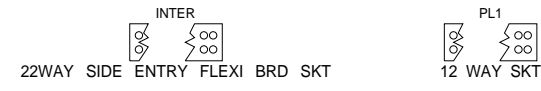
PROCESSOR
252 SHEET 4
DSP AUDIO

RECEIVER
246 GND RX-ANT SHEET 3

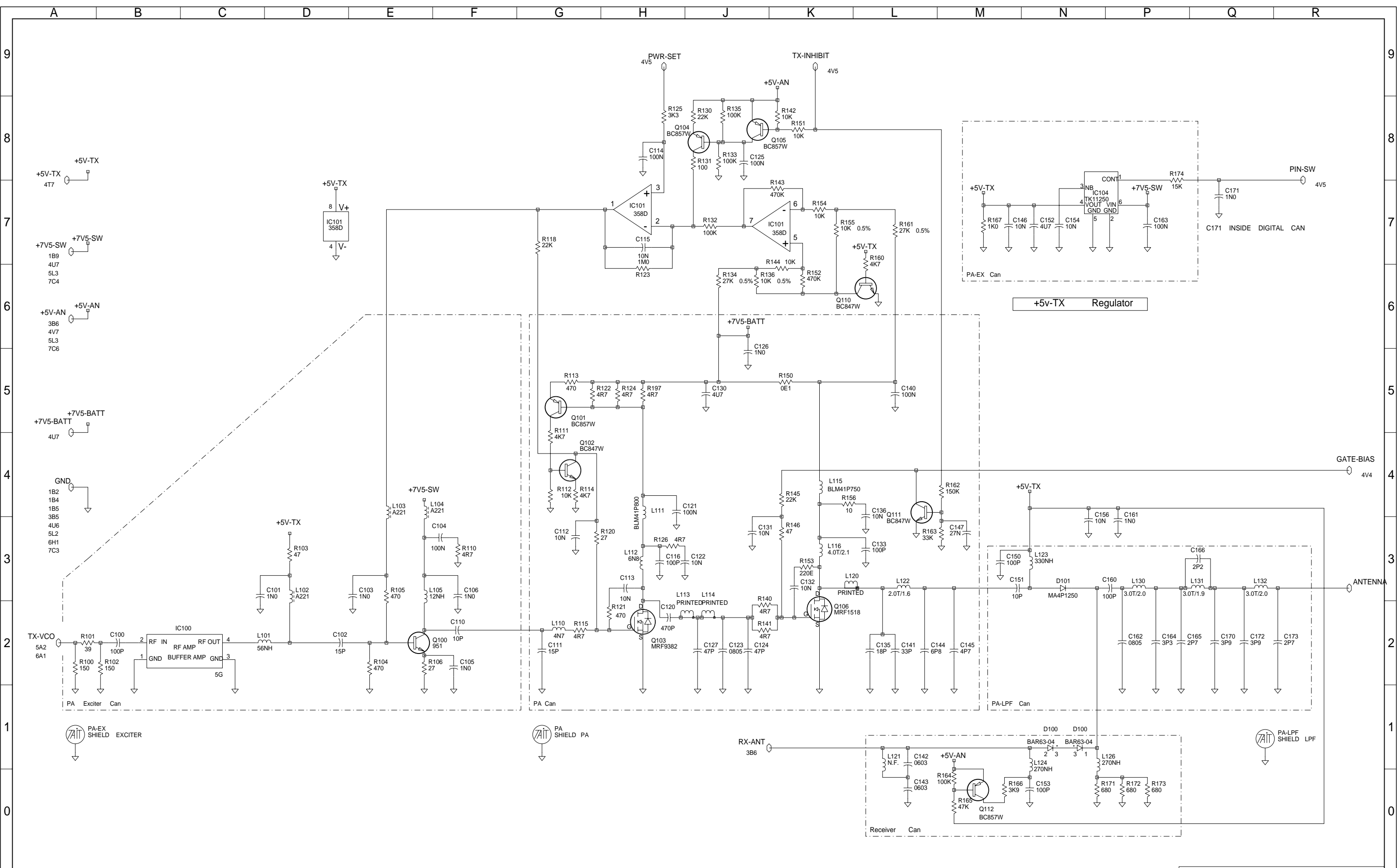
SYNTH-VCO
2922 GND VCO sheet 6

POWER-AMP
93 GND RX-ANT SHEET 2

| | | | | | | |
|---------|----------------------------------|-------|------|------|----------|----------|
| 03A | ECO NO 50 0788 | CJK | JJ | | 29-05-00 | |
| 02A | CCO NO.1624-004 AMP CHANGES | TS | | | 16-12-99 | |
| 01A | INITIAL DES CCO 1624/001 002 003 | BRD | JJ | CK | GR | 25/11/99 |
| REV/ISS | AMENDMENTS | DRAWN | CHKD | D.O. | APVD | DATE |



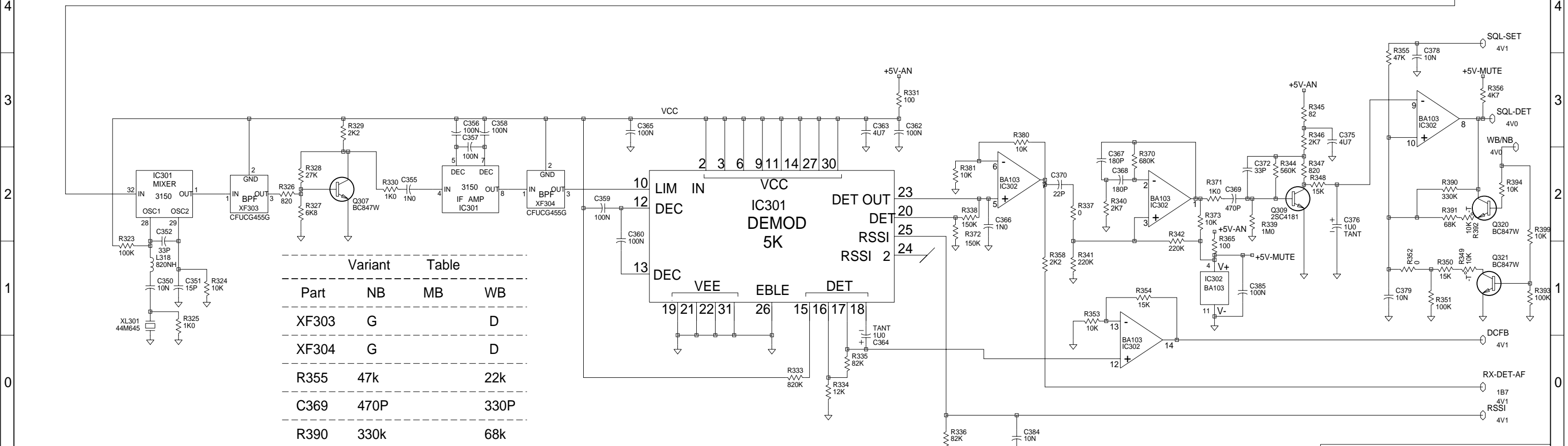
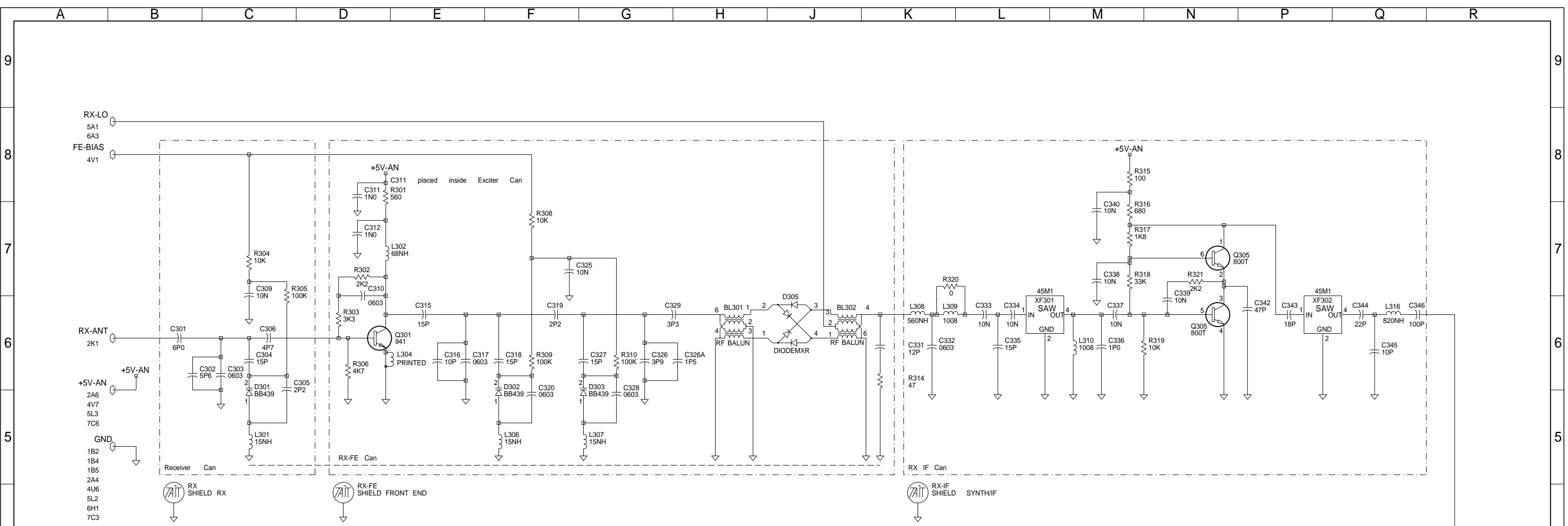
| | | | | | | |
|----------------------------------------|-----------|------------|------------|------------|--|--|
| © TAIT ELECTRONICS | | | | | | |
| TAIT ORCA : 450-530 MHZ SYSTEM DIAGRAM | | | | | | |
| IPN: | ISSUE: | ID: | | | | |
| 220-01624-03 | A | 2.S.C. 1 | | | | |
| PROJECT: | DESIGNER: | FILE NAME: | FILE DATE: | NO.SHEETS: | | |
| ORCA | CJK | 162403a | 29-May-00 | 7 | | |

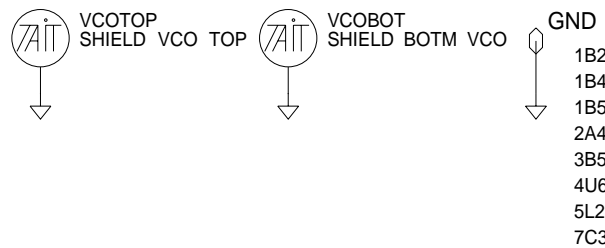
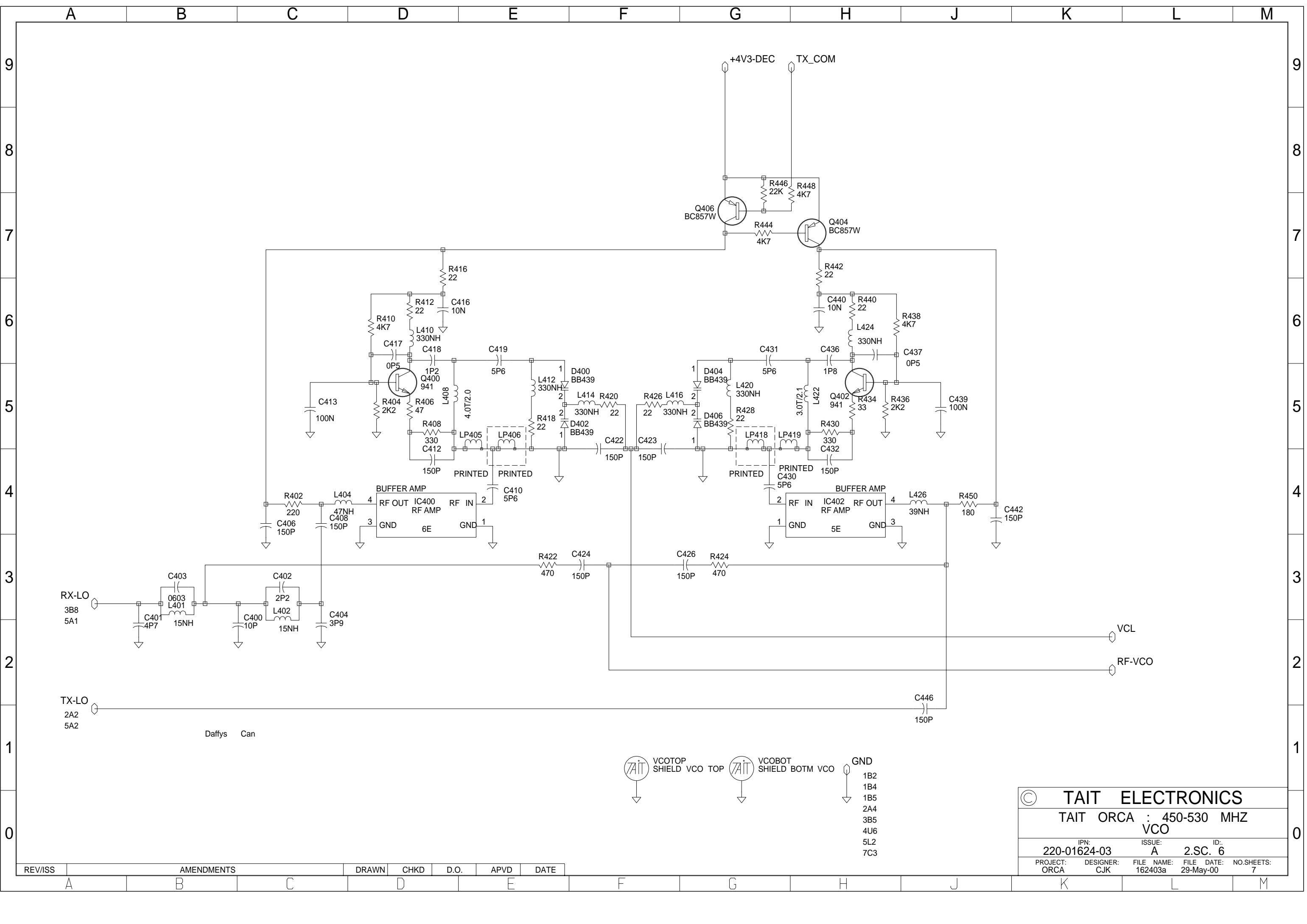


| | | | | | |
|---------|-----------------|-------------|-------|------|----------|
| 02A | CCO NO.1624-004 | AMP CHANGES | TS | | 16-12-99 |
| REV/ISS | AMENDMENTS | | DRAWN | CHKD | D.O. |
| | | | APVD | DATE | |

© TAIT ELECTRONICS
 TAIT ORCA : 450-530 MHZ
 POWER AMPLIFIER

| | | |
|----------------------|---------------|--------------------|
| IPN: 220-01624-03 | ISSUE: A | ID: 2.S.C. 2 |
| PROJECT: ORCA | DESIGNER: CJK | FILE NAME: 162403a |
| FILE DATE: 29-May-00 | NO.SHEETS: 7 | |

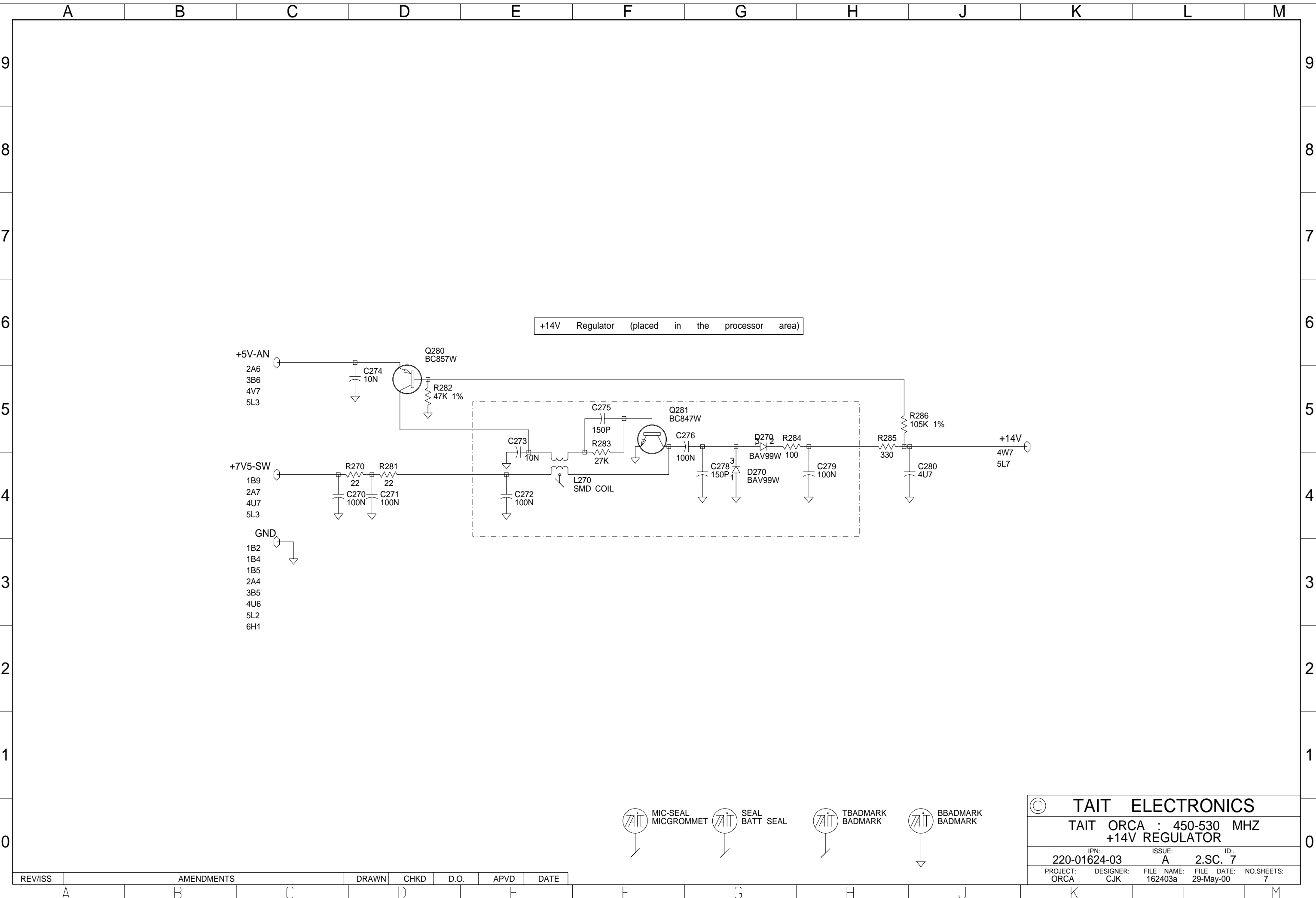




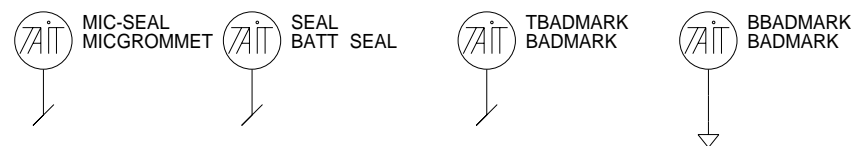
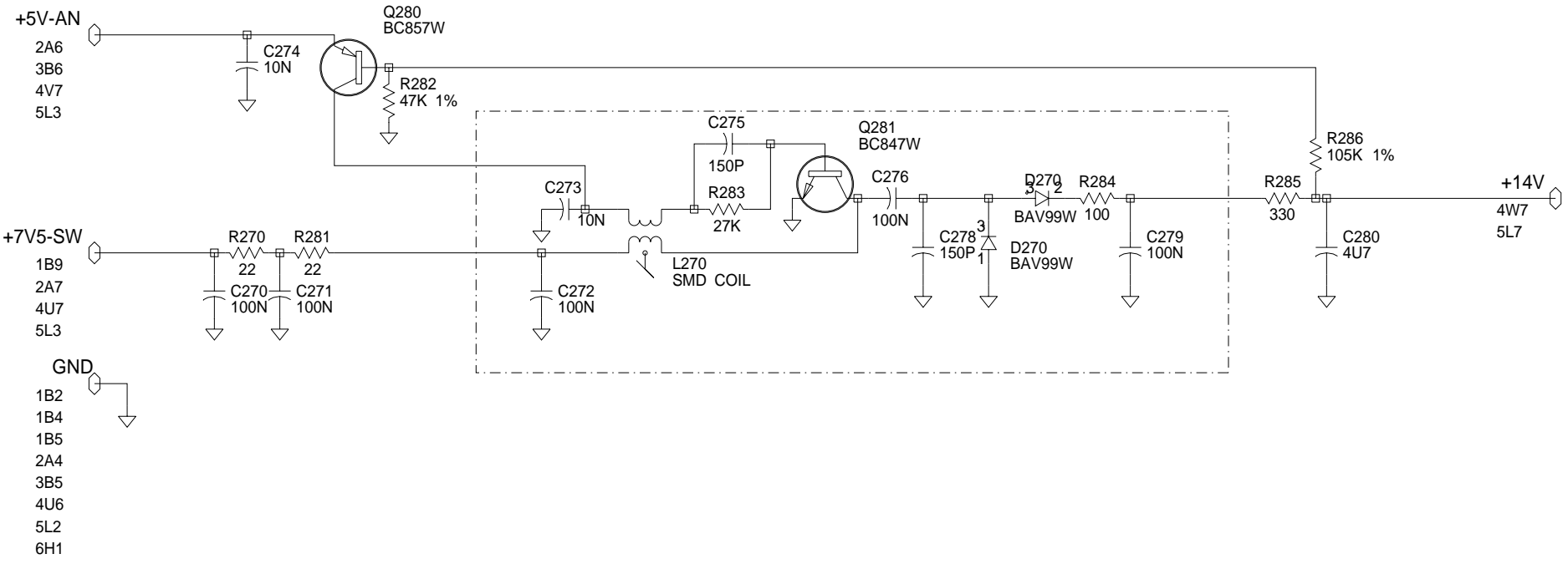
© TAIT ELECTRONICS
 TAIT ORCA : 450-530 MHZ
 VCO

| | | |
|-------------------|----------------------|--------------------|
| IPN: 220-01624-03 | ISSUE: A | ID: 2.SC. 6 |
| PROJECT: ORCA | DESIGNER: CJK | FILE NAME: 162403a |
| | FILE DATE: 29-May-00 | NO.SHEETS: 7 |

| REV/ISS | AMENDMENTS | DRAWN | CHKD | D.O. | APVD | DATE |
|---------|------------|-------|------|------|------|------|
| | | | | | | |



+14V Regulator (placed in the processor area)



| | | | | |
|-------------------------------------------|-----------|------------|------------|------------|
| © TAIT ELECTRONICS | | | | |
| TAIT ORCA : 450-530 MHZ +14V REGULATOR | | | | |
| IPN: | ISSUE: | ID: | | |
| 220-01624-03 | A | 2.SC. 7 | | |
| PROJECT: | DESIGNER: | FILE NAME: | FILE DATE: | NO.SHEETS: |
| ORCA | CJK | 162403a | 29-May-00 | 7 |

| REV/ISS | AMENDMENTS | DRAWN | CHKD | D.O. | APVD | DATE |
|---------|------------|-------|------|------|------|------|
|---------|------------|-------|------|------|------|------|

